

1

2

3

4

5

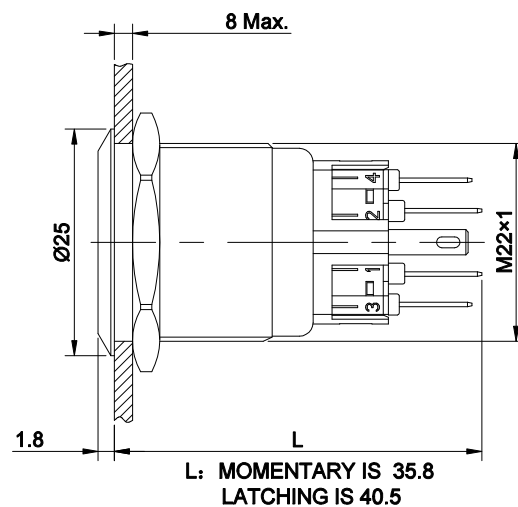
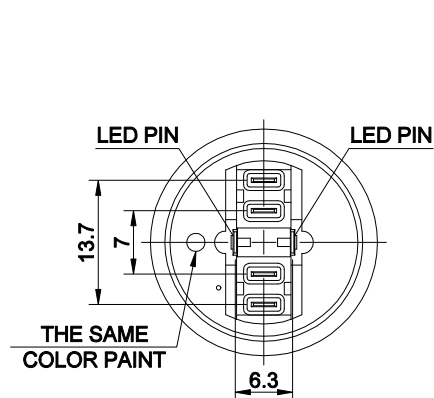
6

7

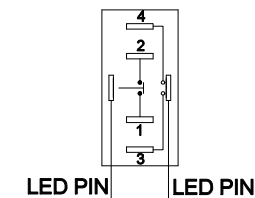
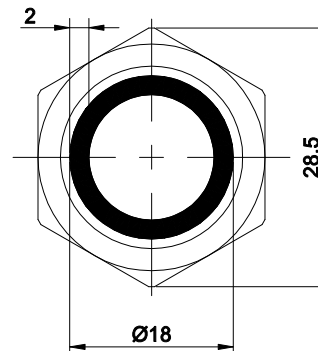
FOR  
客户名称APPROVED  
客户确认签字ATTN  
销售负责人

A

A



THE SHADED PART IS ILLUMINATED

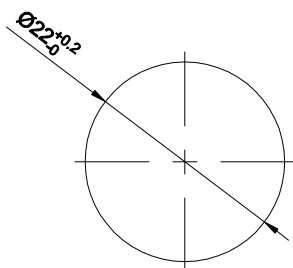


CONTACT COMPOSITION

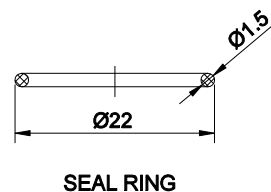
1, 2, 3, 4 ARE ONE SET;  
1,2 ARE NORMAL CLOSED(NC);  
3,4 ARE NORMAL OPENED(NO).

B

B



PANEL CUTOUT



SEAL RING

PART NUMBER: GQ22-11 ■/△/▲/◎

"■"	OPERATION MODE	"△"	LAMP COLOR	"▲"	LAMP VOLTAGE	"◎"	CRUST MATERIAL
NO LETTER	MOMENTARY	R	RED	6V	AC/DC 6V	S	STAINLESS STEEL
Z	LATCHING	G	GREEN	12V	AC/DC 12V	A	AL ALLOY(BLACK)
		Y	YELLOW	24V	AC/DC 24V		
		B	BLUE	110V	AC/DC 110V		
		W	WHITE	220V	AC/DC 220V		

OTHER VOLTAGE CAN  
BE MADE TO ORDER

C

C

D

D

## SPECIFICATIONS:

- SWITCH RATING:  $U_i: 250V$ ,  $I_{th}: 5A$ .
- MECHANICAL LIFE:  $\geq 1,000,000$  cycles.
- ELECTRICAL LIFE:  $\geq 50,000$  cycles.
- INSULATION RESISTANCE:  $\geq 100M\Omega(500VDC)$ .
- DIELECTRIC STRENGTH:  $1,500V$ , RMS 50HZ, 1min.
- OPERATING TEMPERATURE:  $-25^{\circ}C \sim +55^{\circ}C$ (NO FREEZING).
- OPERATING FORCE: ABOUT 4N.
- OPERATING TRAVEL: ABOUT 2.5mm.
- TORQUE: ABOUT 0.6Nm MAX.APPLIED TO NUT.
- IP CLASS: IP65(IP67 MOMENTARY CAN BE CUSTOMIZED), IK10.
- TERMINAL TYPE: PIN TERMINAL(2.8 X 0.5mm).
- GENERAL TOLERANCE: 0-18mm $\pm 0.25$ , 18-80mm $\pm 0.52$ .

## MATERIALS:

- CONTACT: SILVER ALLOY.
- BUTTON: ◎
- BODY: ◎
- BASE: PA.

E

E

BRAND 品牌		红波按钮制造有限公司			
ONPOW 欧宝龙®		ONPOW PUSH BUTTON MANUFACTURE CO.,LTD.			
TITLE 名称	GQ SERIES ANTI-VANDAL PUSH BUTTON			UNIT 单位	mm
DWG NO. 图号	GQ22-11E	SCALE 比例	1.2 : 1	SIZE 图纸	A4
FILE NAME 档案名称	GQ22-E.DWG	DRAWN 制图	YDY 2022/09/16	SHEET 张	1/1
		REV. 更改			1

1

2

3

4

5

6

7