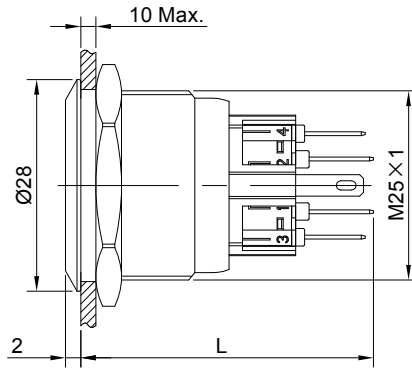
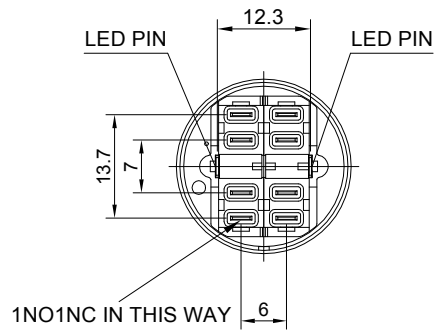
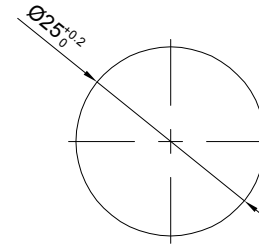
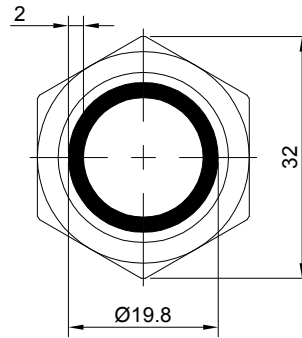


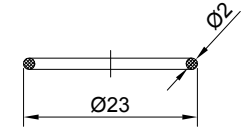
1	2	3	4	5	6	7
				FOR 客户名称	APPROVED 客户确认签字	ATTN 销售负责人



THE SHADED PART IS ILLUMINATED

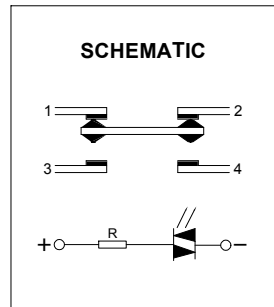


PANEL CUTOUT



SEAL RING

L: MOMENTARY IS 38.4
LATCHING IS 40.8



PART NUMBER: GQ25-□■E/△/▲/◎/※

□	CONTACT STRUCTURE
11	1NO1NC
22	2NO2NC

■	OPERATION MODE
NO LETTER	MOMENTARY
Z	LATCHING

△	LAMP COLOR
R	RED
G	GREEN
Y	YELLOW
B	BLUE
W	WHITE

▲	LAMP VOLTAGE
6V	AC/DC 6V
12V	AC/DC 12V
24V	AC/DC 24V
110V	AC/DC 110V
220V	AC/DC 220V

◎	CRUST MATERIAL
S	STAINLESS STEEL
A	AL ALLOY(BLACK)

※	IP CLASS
NO LETTER	IP65
FP	IP67(MOMENTARY)

OTHER VOLTAGE CAN BE
MADE TO ORDER

SPECIFICATIONS:

- SWITCH RATING: Ui:250V, Ith:5A.
- LAMP CIRCUIT: USING AC/DC LED LAMP, THE TERMINALS NO DIFFERENCE OF ANODE AND CATHODE.
- MECHANICAL LIFE: ≥1,000,000 cycles.
- ELECTRICAL LIFE: ≥50,000 cycles.
- CONTACT RESISTANCE: ≤50mΩ.
- INSULATION RESISTANCE: ≥100MΩ(500VDC).
- DIELECTRIC STRENGTH: 1,500V, RMS 50Hz, 1min.
- OPERATING TEMPERATURE: -25°C~ +55°C(NO FREEZING, KEEP THE AIR FLOWING AROUND PUSHBUTTON).
- OPERATING FORCE: ABOUT 5N(1NO1NC)/ABOUT 7.5N(2NO2NC).
- OPERATING TRAVEL: ABOUT 2.5mm.
- TORQUE: 0.6Nm Max. APPLIED TO NUT.
- FRONT PANEL PROTECTION DEGREE: IP65/IP67(MOMENTARY CAN BE CUSTOMIZED), IK10.
- TERMINAL TYPE: PIN TERMINAL(2.8 X 0.5mm).
- GENERAL TOLERANCE: 0-18mm=±0.25, 18-80mm=±0.52.

MATERIALS:

- CONTACT: SILVER ALLOY.
- BUTTON: ◎/PC.
- BODY: ◎.
- BASE: PA.

BRAND 品牌		红波按钮制造有限公司			
ONPOW 欧宝龙®		ONPOW PUSH BUTTON MANUFACTURE CO.,LTD.			
TITLE 名称	GQ SERIES ANTI-VANDAL PUSH BUTTON		UNIT 单位	mm	
DWG NO. 图号	GQ25-11E	SCALE 比例	1:1	SIZE 图纸	A4
FILE NAME 档案名称	GQ25-11E .DWG	DRAWN 制图	HCP 2023/07/11	SHEET 张	1/1
		REV. 更改			1