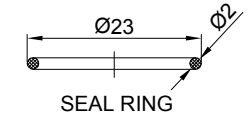
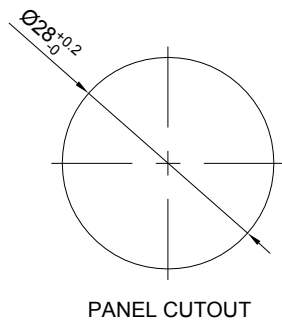
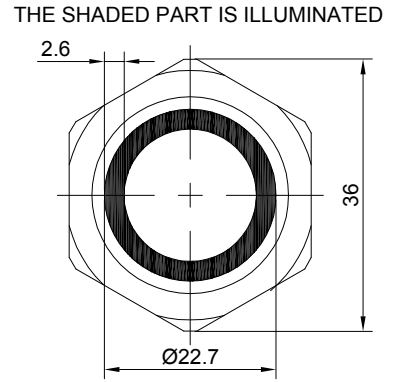
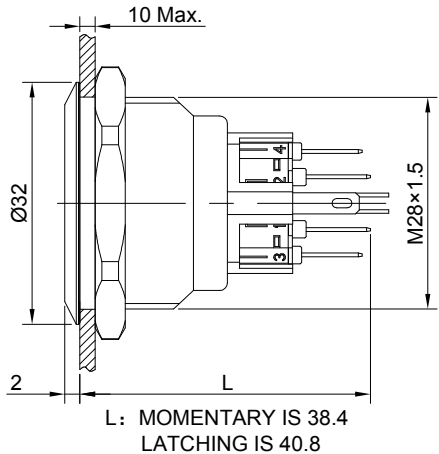
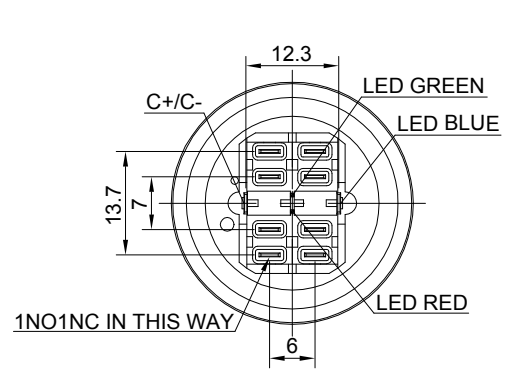


NO. **DZ202308AJ**-□■/★/▲ CUSTOMIZED PRODUCT MODEL: DZ-GQ28-□■E/★RGB/▲/S
 CUSTOMIZED
 ① 定制自复/自锁内置电阻三色灯连接座组件。

"□"	CONTACT STRUCTURE	"★"	POLARITY OF COMMON PIN
11	1NO1NC	41	COMMON PIN IN CATHODE(C-)
22	2NO2NC	42	COMMON PIN IN ANODE(C+)

"■"	OPERATION MODE	"▲"	LAMP VOLTAGE
NO LETTER	MOMENTARY	NO LETTER	R:1.8V G:2.8V B:2.8V
Z	LATCHING	6V	AC/DC 6V
		12V	AC/DC 12V
		24V	AC/DC 24V

FOR 客户名称	APPROVED 客户确认签字	ATTN 销售负责人
样品图		



- SPECIFICATIONS:**
- SWITCH RATING: $U_i: 250V, I_{th}: 5A$.
 - MECHANICAL LIFE: $\geq 1,000,000$ cycles.
 - ELECTRICAL LIFE: $\geq 50,000$ cycles.
 - CONTACT RESISTANCE: $\leq 50m\Omega$.
 - INSULATION RESISTANCE: $\geq 100M\Omega(500VDC)$.
 - DIELECTRIC STRENGTH: 1,500V, RMS 50HZ, 1min.
 - OPERATING TEMPERATURE: $-25^{\circ}C \sim +55^{\circ}C$ (NO FREEZING).
 - OPERATING FORCE: ABOUT 4N(1NO1NC), ABOUT 7.5N(2NO2NC).
 - OPERATING TRAVEL: ABOUT 2.5mm.
 - TORQUE: ABOUT 0.6Nm Max. APPLIED TO NUT.
 - FRONT PANEL PROTECTION DEGREE: IP65, IK10.
 - TERMINAL TYPE: PIN TERMINAL(2.8 X 0.5mm).
 - GENERAL TOLERANCE: 0-18mm ± 0.25 , 18-80mm ± 0.52 .

- MATERIALS:**
- CONTACT: SILVER ALLOY.
 - BUTTON: STAINLESS STEEL/PC.
 - BODY: STAINLESS STEEL.
 - BASE: PA.

BRAND 品牌		红波按钮制造有限公司		
ONPOW 欧宝龙®		ONPOW PUSH BUTTON MANUFACTURE CO.,LTD.		
TITLE 名称	GQ SERIES ANTI-VANDAL PUSH BUTTON		UNIT 单位	mm
FILE NAME 档案名称	DZ202308AJ(GQ28-□■E-★RGB).DWG	SCALE 比例	1 : 1	SIZE 图纸
DWG NO. 图号	DZ202308AJ	DRAWN 制图	YDY 2023/08/09	SHEET 张
			1/1	REV. 更改
				1