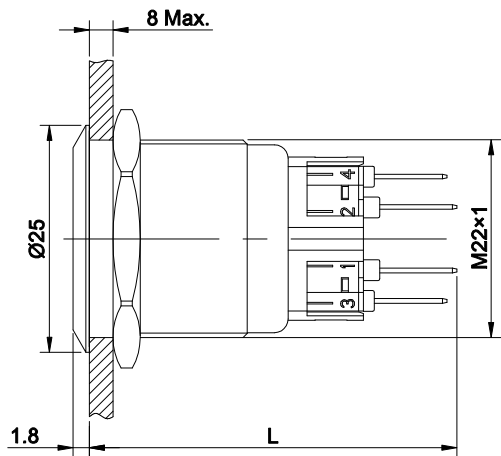
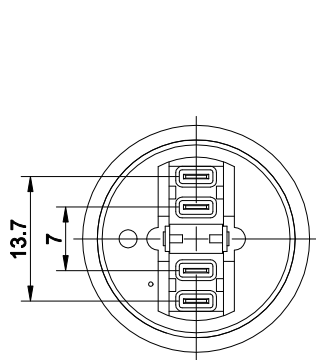
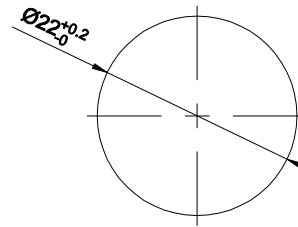
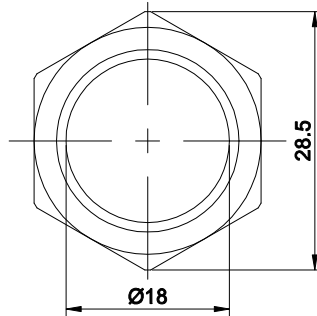


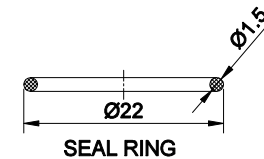
5	FOR 客户名称	6	APPROVED 客户确认签字	7	ATTN 销售负责人



L: MOMENTARY IS 35.8;
LATCHING IS 40.5.

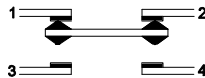


PANEL CUTOUT



SEAL RING

SCHEMATIC



PART NUMBER: GQ22-11 ■ / ◎

"■"	OPERATION MODE	"◎"	CRUST MATERIAL
NO LETTER	MOMENTARY	S	STAINLESS STEEL
Z	LATCHING	A	AL ALLOY(BLACK)

SPECIFICATIONS:

- SWITCH RATING: $U_i: 250V, I_{th}: 5A$.
- MECHANICAL LIFE: $\geq 1,000,000$ cycles.
- ELECTRICAL LIFE: $\geq 50,000$ cycles.
- CONTACT RESISTANCE: $\leq 50m\Omega$.
- INSULATION RESISTANCE: $\geq 100M\Omega(500VDC)$.
- DIELECTRIC STRENGTH: 1,500V, RMS 50HZ, 1min.
- OPERATING TEMPERATURE: $-25^{\circ}C \sim +55^{\circ}C$ (NO FREEZING, KEEP THE AIR FLOWING AROUND PUSHBUTTON).
- OPERATING FORCE: ABOUT 4N.
- OPERATING TRAVEL: ABOUT 2.5mm.
- TORQUE: ABOUT 0.6Nm MAX.APPLIED TO NUT.
- FRONT PANEL PROTECTION DEGREE: IP65(IP67 CAN BE CUSTOMIZED),IK10.
- TERMINAL TYPE: PIN TERMINAL(2.8 X 0.5mm).
- GENERAL TOLERANCE: 0-18mm= ± 0.25 , 18-80mm= ± 0.52 .

MATERIALS:

- CONTACT: SILVER ALLOY.
- BUTTON: ◎.
- BODY: ◎.
- BASE: PA.

BRAND 品牌		红波按钮制造有限公司			
ONPOW 欧宝龙®		ONPOW PUSH BUTTON MANUFACTURE CO.,LTD.			
TITLE 名称	GQ SERIES ANTI-VANDAL PUSH BUTTON		UNIT 单位	mm	
DWG NO. 图号	GQ22(不带灯)	SCALE 比例	1.2 : 1	SIZE 图纸	A4
FILE NAME 档案名称	GQ22(不带灯).DWG	DRAWN 制图	WSB 2023/03/17	SHEET 张	1/1
		REV. 更改			1