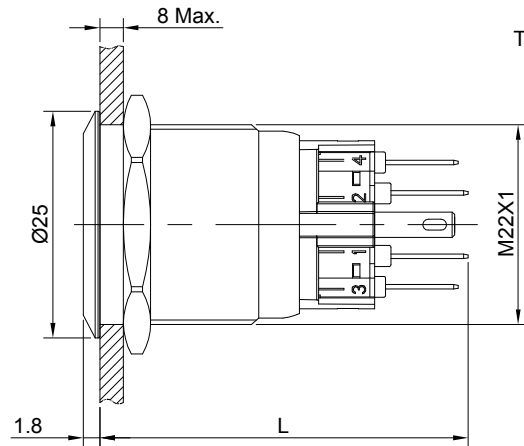
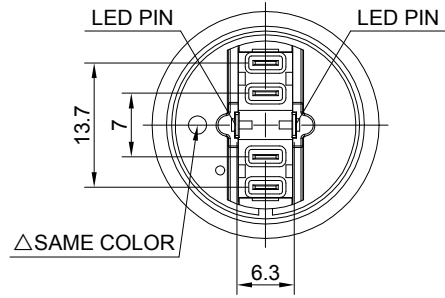
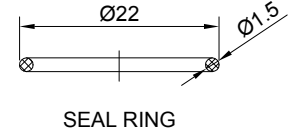
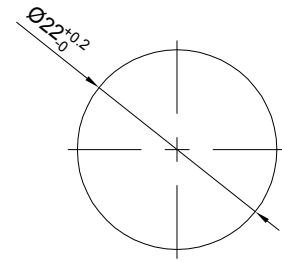
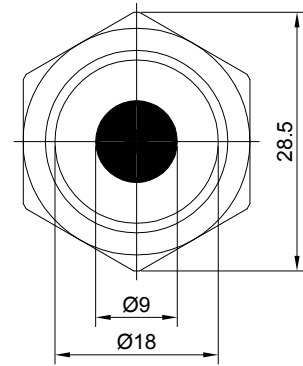


FOR 客户名称	APPROVED 客户确认签字	ATTN 销售负责人

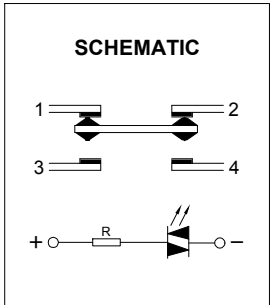


THE SHADED PART IS ILLUMINATED



L: MOMENTARY IS 35.8  
LATCHING IS 40.5

PART NUMBER: GQ22-11 ■/△/▲/◎/※



"■"	OPERATION MODE
NO LETTER	MOMENTARY
Z	LATCHING

"▲"	LAMP VOLTAGE
6V	AC/DC 6V
12V	AC/DC 12V
24V	AC/DC 24V
110V	AC/DC 110V
220V	AC/DC 220V
OTHER VOLTAGE CAN BE MADE TO ORDER	

"◎"	CRUST MATERIAL
S	STAINLESS STEEL
A	AL ALLOY(BLACK)

"△"	LAMP COLOR
R	RED
G	GREEN
Y	YELLOW
B	BLUE
W	WHITE

"※"	IP CLASS
NO LETTER	IP65
FP	IP67(MOMENTARY)

**SPECIFICATIONS:**

- SWITCH RATING:  $U_i: 250V, I_{th}: 5A$ .
- MECHANICAL LIFE:  $\geq 1,000,000$  cycles.
- ELECTRICAL LIFE:  $\geq 50,000$  cycles.
- INITIAL CONTACT RESISTANCE:  $\leq 50m\Omega$ .
- INSULATION RESISTANCE:  $\geq 100M\Omega(500VDC)$ .
- DIELECTRIC STRENGTH: 1,500V, RMS 50Hz, 1min.
- OPERATING TEMPERATURE:  $-25^{\circ}C \sim +55^{\circ}C$  (NO FREEZING, KEEP THE AIR FLOWING AROUND PUSHBUTTON).
- OPERATING FORCE: ABOUT 4N.
- OPERATING TRAVEL: ABOUT 2.5mm.
- TORQUE: 0.6Nm Max. APPLIED TO NUT.
- FRONT PANEL PROTECTION DEGREE: IP65(IP67 MOMENTARY CAN BE CUSTOMIZED); IK10.
- TERMINAL TYPE: PIN TERMINAL(2.8X0.5mm).
- GENERAL TOLERANCE: 0-18mm $\pm 0.25$ , 18-80mm $\pm 0.52$ .

- MATERIALS:**
- CONTACT: SILVER ALLOY.
  - BUTTON: ◎/PC.
  - BODY: ◎.
  - BASE: PA.

BRAND 品牌		红波按钮制造有限公司		
ONPOW 欧宝龙®		ONPOW PUSH BUTTON MANUFACTURE CO.,LTD.		
TITLE 名称	GQ SERIES ANTI-VANDAL PUSH BUTTON	UNIT 单位	mm	
DWG NO. 图号	GQ22-11D	SCALE 比例	1.2 : 1	SIZE 图纸 A4
FILE NAME 档案名称	GQ22-11D.DWG	DRAWN 制图	HCP 2023/09/12	SHEET 张 1/1 REV. 更改 1