

1

2

3

4

5

6

7

FOR  
客户名称APPROVED  
客户确认签字ATTN  
销售负责人

A

B

C

D

E

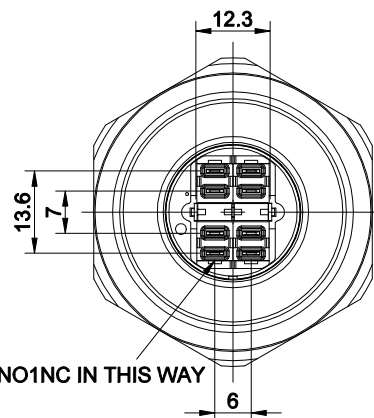
A

B

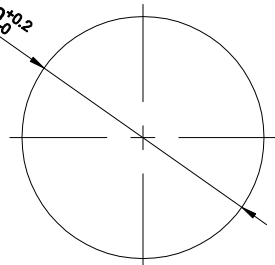
C

D

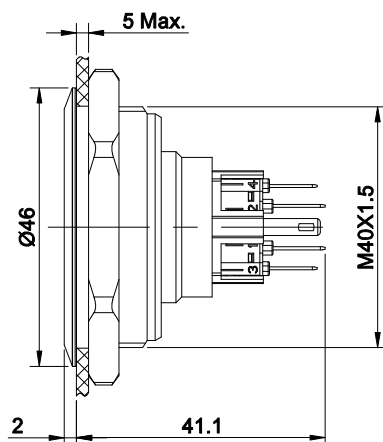
E



1NO1NC IN THIS WAY

 $\varnothing 40_{+0.2}$ 

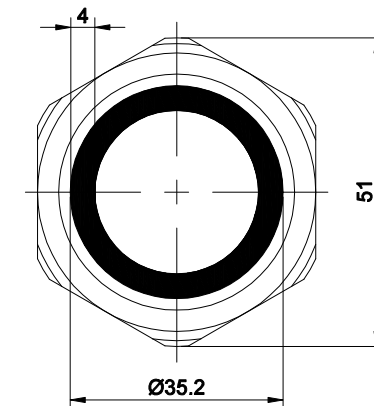
PANEL CUTOUT



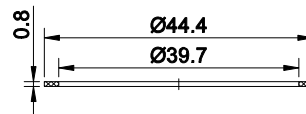
LED PIN

LED PIN

CONTACT COMPOSITION  
1, 2, 3, 4 ARE ONE SET;  
1, 2 ARE NORMAL CLOSED (NC);  
3, 4 ARE NORMAL OPENED (NO).

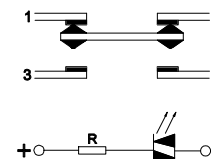


THE SHADED PART IS ILLUMINATED



SEAL RING

SCHEMATIC



PART NUMBER: GQ40-□■E/△/▲/S

□	CONTACT STRUCTURE	△	LAMP COLOR	▲	LAMP VOLTAGE
11	1NO1NC	R	RED	6V	AC/DC 6V
22	2NO2NC	G	GREEN	12V	AC/DC 12V
		Y	YELLOW	24V	AC/DC 24V
		B	BLUE	110V	AC/DC 110V
		W	WHITE	220V	AC/DC 220V
OTHER VOLTAGE CAN BE MADE TO ORDER					

■	OPERATION MODE
NO LETTER	MOMENTARY
Z	LATCHING

## SPECIFICATIONS:

- SWITCH RATING:  $U_i: 250V$ ,  $I_{th}: 5A$ .
- MECHANICAL LIFE:  $\geq 1,000,000$  cycles.
- ELECTRICAL LIFE:  $\geq 50,000$  cycles.
- INSULATION RESISTANCE:  $\geq 100M\Omega(500VDC)$ .
- DIELECTRIC STRENGTH:  $1,500V$ , RMS 50HZ, 1min.
- OPERATING TEMPERATURE:  $-25^{\circ}C \sim +55^{\circ}C$  (NO FREEZING).
- OPERATING FORCE: ABOUT  $4N(1NO1NC)$ , ABOUT  $7.5N(2NO2NC)$ .
- OPERATING TRAVEL: ABOUT 2.5mm.
- TORQUE: ABOUT 0.6Nm MAX.APPLIED TO NUT.
- IP CLASS: IP65(IP67 MOMENTARY CAN MADE TO ORDER), IK10.
- TERMINAL TYPE: PIN TERMINAL(2.8 X 0.5mm).
- GENERAL TOLERANCE: 0-18mm= $\pm 0.25$ , 18-80mm= $\pm 0.52$ .

## MATERIALS:

- CONTACT: SILVER ALLOY.
- BUTTON: STAINLESS STEEL.
- BODY: STAINLESS STEEL.
- BASE: PA.

BRAND 品牌		红波按钮制造有限公司			
ONPOW 欧宝龙®		ONPOW PUSH BUTTON MANUFACTURE CO.,LTD.			
TITLE 名称	GQ SERIES ANTI-VANDAL PUSH BUTTON			UNIT 单位	mm
DWG NO. 图号	GQ40-E	SCALE 比例	0.8 : 1	SIZE 图纸	A4
FILE NAME 档案名称	GQ40.DWG	DRAWN 制图	YDY 2022/07/05	SHEET 张	1/1
		REV. 更改			1

1

2

3

4

5

6

7