

1 2 3 4 5 6 7

FOR 客户名称	APPROVED 客户确认签字	ATTN 销售负责人

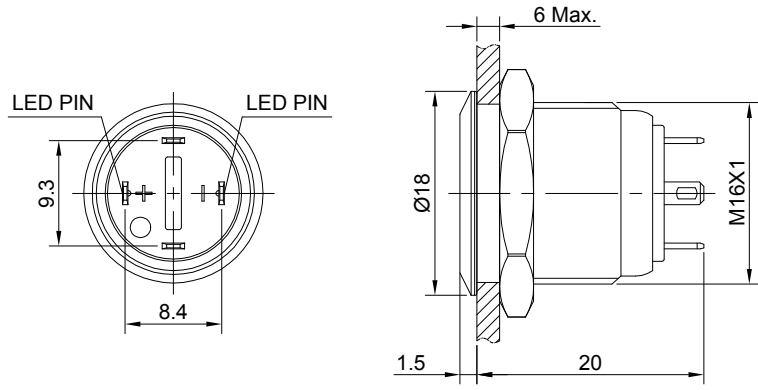
A A

B B

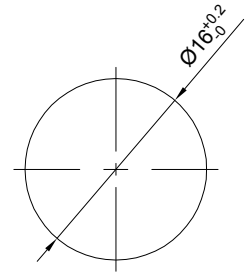
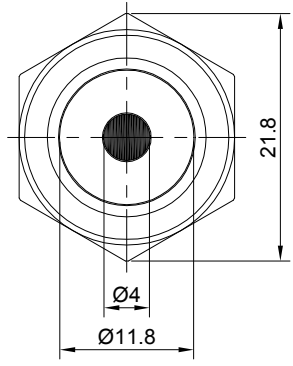
C C

D D

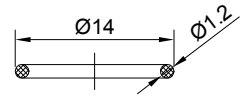
E E



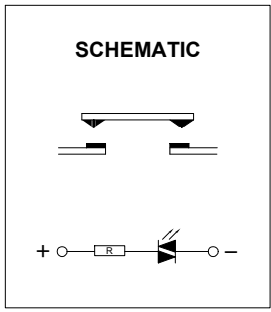
THE SHADED PART IS ILLUMINATED



PANEL CUTOUT



SEAL RING



SCHEMATIC

DOUBLE-BREAKPOINT SLOW-ACTING CONTACT SWITCH WITH TWO TERMINALS

MATERIALS:
 1.CONTACT: SILVER ALLOY.
 2.BUTTON: STAINLESS STEEL/PC.
 3.BODY: STAINLESS STEEL.
 4.BASE: PA.

PART NUMBER:GQ16F-10D/J/△/▲/S

"△"	LAMP COLOR	"▲"	LAMP VOLTAGE
R	RED	6V	AC/DC 6V
G	GREEN	12V	AC/DC 12V
Y	YELLOW	24V	AC/DC 24V
B	BLUE	220V	AC/DC 220V
W	WHITE	OTHER VOLTAGE CAN BE MADE TO ORDER	

SPECIFICATIONS:
 1.SWITCH RATING: Ui:250V, Ith:3A.
 2.SWITCH OPERATION: MOMENTARY.
 3.MECHANICAL LIFE: ≥1,000,000 cycles.
 4.ELECTRICAL LIFE: ≥50,000 cycles.
 5.INITIAL CONTACT RESISTANCE: ≤50mΩ.
 6.INSULATION RESISTANCE: ≥100MΩ(500VDC).
 7.DIELECTRIC STRENGTH: 1,500V, RMS 50Hz, 1min.
 8.OPERATING TEMPERATURE: -25°C~ +55°C(NO FREEZING, KEEP THE AIR FLOWING AROUND PUSHBUTTON).
 9.OPERATING FORCE: ABOUT 4N.
 10.OPERATING TRAVEL: ABOUT 2mm.
 11.TORQUE: 0.6Nm Max. APPLIED TO NUT.
 12.FRONT PANEL PROTECTION DEGREE: IP65, IP67(CAN BE CUSTOMIZED); IK08.
 13.TERMINAL TYPE: PIN TERMINAL(2X0.5mm).
 14.GENERAL TOLERANCE:0-18mm=±0.25, 18-80mm=±0.52.

BRAND 品牌		红波按钮制造有限公司			
ONPOW 欧宝龙®		ONPOW PUSH BUTTON MANUFACTURE CO.,LTD.			
TITLE 名称	GQ SERIES ANTI-VANDAL PUSH BUTTON		UNIT 单位	mm	
DWG NO. 图号	GQ16F-10D/J	SCALE 比例	1.5 : 1	SIZE 图纸	A4
FILE NAME 档案名称	GQ16-10DJ.DWG	DRAWN 制图	HCP 2023/10/16	SHEET 张	1/1
			REV. 更改	1	

1 2 3 4 5 6 7