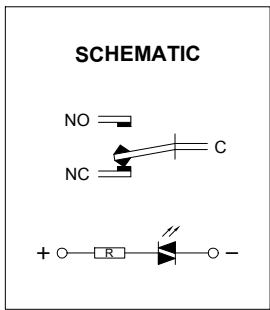
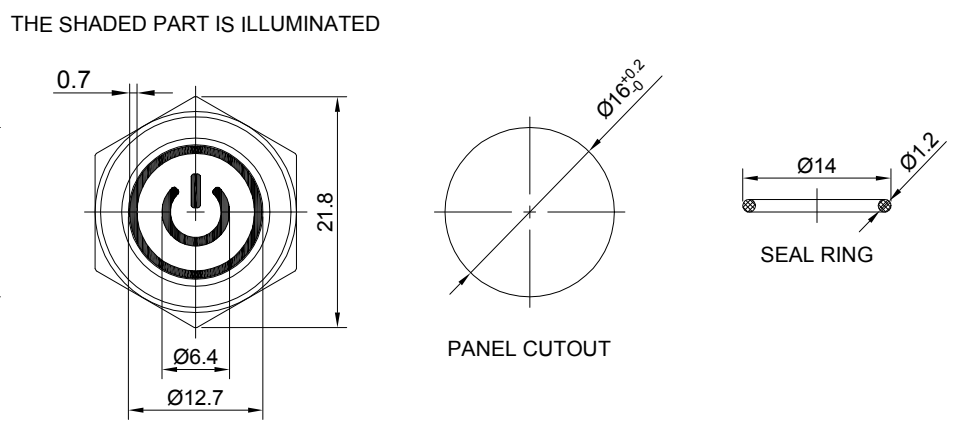
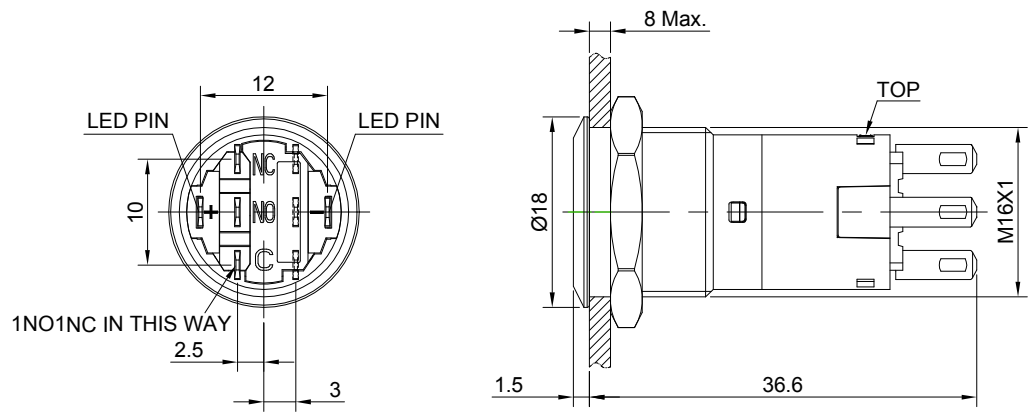


FOR 客户名称	APPROVED 客户确认签字	ATTN 销售负责人



SINGLE-BREAKPOINT QUICK-ACTING CONTACT SWITCHES WITH THREE TERMINALS

PART NUMBER: LAS1-AGQ16-□■ET/△/▲/S/※

"□"	CONTACT STRUCTURE
11	1NO1NC
22	2NO2NC

"■"	OPERATION MODE
NO LETTER	MOMENTARY
Z	LATCHING

"△"	LAMP COLOR
R	RED
G	GREEN
Y	YELLOW
B	BLUE
W	WHITE

"▲"	LAMP VOLTAGE
6V	AC/DC 6V
12V	AC/DC 12V
24V	AC/DC 24V
110V	AC/DC 110V
220V	AC/DC 220V

OTHER VOLTAGE CAN BE MADE TO ORDER

"※"	PROTECTION DEGREE
NO LETTER	IP65
FP	IP67(CUSTOMIZED)

SPECIFICATIONS:

- SWITCH RATING: U_i :250V, I_{th} :5A.
- MECHANICAL LIFE: $\geq 1,000,000$ cycles.
- ELECTRICAL LIFE: $\geq 50,000$ cycles.
- INITIAL CONTACT RESISTANCE: $\leq 50m\Omega$.
- INSULATION RESISTANCE: $\geq 100M\Omega$ (500VDC).
- DIELECTRIC STRENGTH: 1,500V, RMS 50Hz, 1min.
- OPERATING TEMPERATURE: $-25^{\circ}C \sim +55^{\circ}C$ (NO FREEZING, KEEP THE AIR FLOWING AROUND PUSHBUTTON).
- TORQUE: 0.6Nm Max. APPLIED TO NUT.
- OPERATING FORCE: ABOUT 1.7N(1NO1NC), ABOUT 3N(2NO2NC).
- OPERATING TRAVEL: ABOUT 3.1mm.
- FRONT PANEL PROTECTION DEGREE: IP65(IP67 CAN BE CUSTOMIZED), IK09.
- TERMINAL TYPE: PIN TERMINAL(2.8X0.5mm).
- GENERAL TOLERANCE: 0-18mm ± 0.25 , 18-80mm ± 0.52 .
- RoHS CAN BE CUSTOMIZED.

MATERIALS:

- CONTACT: SILVER ALLOY.
- BUTTON: STAINLESS STEEL/PC.
- BODY: STAINLESS STEEL.
- BASE: PBT.

BRAND 品牌		红波按钮制造有限公司		
ONPOW 欧宝龙®		ONPOW PUSH BUTTON MANUFACTURE CO.,LTD.		
TITLE 名称	LAS1-AGQ16系列抗破坏金属按钮		UNIT 单位	mm
DWG NO. 图号	LAS1-AGQ16-ET	SCALE 比例	1.4 : 1	SIZE 图纸
FILE NAME 档案名称	LAS1-AGQ16带灯.DWG	DRAWN 制图	HCP 2024/01/15	SHEET 张
		SHEET 1/1	REV. 更改	1