

1

2

3

4

5

6

7

FOR  
客户名称APPROVED  
客户确认签字ATTN  
销售负责人

A

A

B

B

C

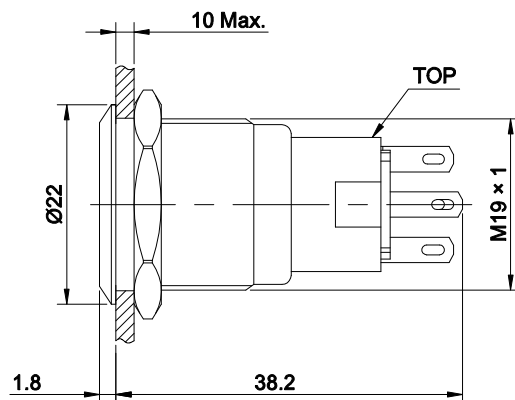
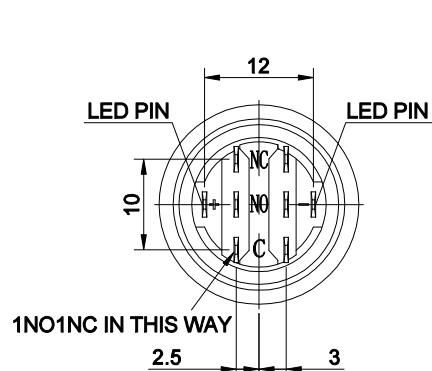
C

D

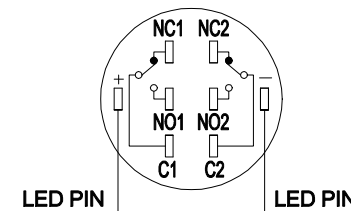
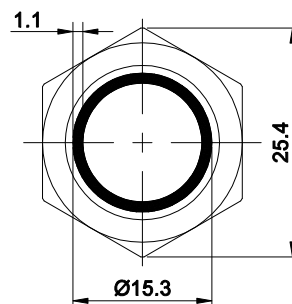
D

E

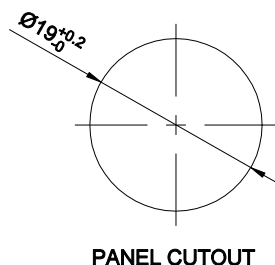
E



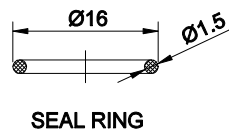
THE SHADED PART IS ILLUMINATED



CONTACT COMPOSITION



PANEL CUTOUT



SEAL RING

PART NUMBER: LAS1-AGQ-□■E/△/▲/◎

"■"	OPERATION MODE
NO LETTER	MOMENTARY
Z	LATCHING

"△"	LAMP COLOR
R	RED
G	GREEN
Y	YELLOW
B	BLUE
W	WHITE

"▲"	LAMP VOLTAGE
6V	AC/DC 6V
12V	AC/DC 12V
24V	AC/DC 24V
110V	AC/DC 110V
220V	AC/DC 220V

"◎"	CRUST MATERIAL
S	STAINLESS STEEL
A	AL ALLOY(BLACK)

"□"	CONTACT STRUCTURE
11	1NO 1NC
22	2NO 2NC

OTHER VOLTAGE CAN BE  
MADE TO ORDER

## SPECIFICATIONS:

- SWITCH RATING:  $U_i: 250V, I_{th}: 5A$ .
- MECHANICAL LIFE:  $\geq 1,000,000$  cycles.
- ELECTRICAL LIFE:  $\geq 50,000$  cycles.
- CONTACT RESISTANCE:  $\leq 50m\Omega$ .
- INSULATION RESISTANCE:  $\geq 100M\Omega(500VDC)$ .
- DIELECTRIC STRENGTH: 1,500V, RMS 50HZ, 1min.
- OPERATING TEMPERATURE:  $-25^{\circ}C \sim +55^{\circ}C$  (NO FREEZING, KEEP THE AIR FLOWING AROUND PUSHBUTTON).
- OPERATING FORCE: ABOUT 1.7N(1NO1NC), 3N(2NO2NC).
- OPERATING TRAVEL: ABOUT 3.1mm.
- TORQUE: ABOUT 0.8Nm MAX.APPLIED TO NUT.
- FRONT FANEL PROTECTION DEGREE: IP65, IK02.
- TERMINAL TYPE: PIN TERMINAL(2.8 X 0.5mm).
- GENERAL TOLERANCE: 0-18mm= $\pm 0.25$ , 18-80mm= $\pm 0.52$ .

## MATERIALS:

- CONTACT: SILVER ALLOY.
- BUTTON: ◎.
- BODY: ◎.
- BASE: PBT.

BRAND 品牌

ONPOW 欧宝龙®

红波按钮制造有限公司

ONPOW PUSH BUTTON MANUFACTURE CO.,LTD.

TITLE 名称	LAS1-AGQ SERIES ANTI-VANDAL PUSH BUTTON	UNIT 单位	mm
DWG NO. 图号	LAS1-AGQ-E	SCALE 比例	1.2 : 1
FILE NAME 档案名称	LAS1-AGQ-E.DWG	SHEET 张	1/1
DRAWN 制图	YDY 2022/09/14	SIZE 图纸	A4
		REV. 更改	1

1

2

3

4

5

6

7