

1

2

3

4

5

6

7

FOR
客户名称APPROVED
客户确认签字ATTN
销售负责人

A

B

C

D

E

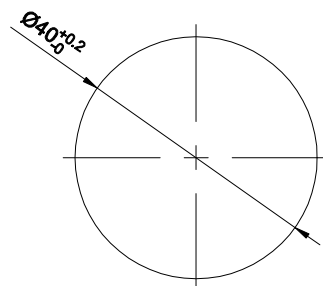
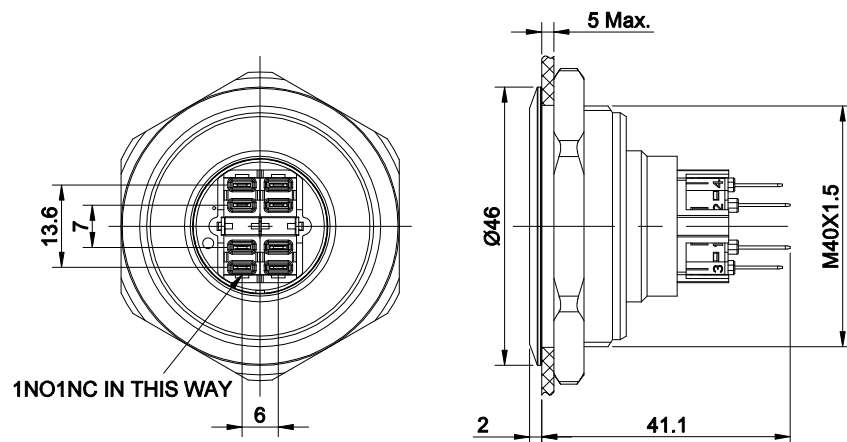
A

B

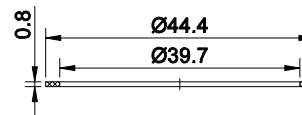
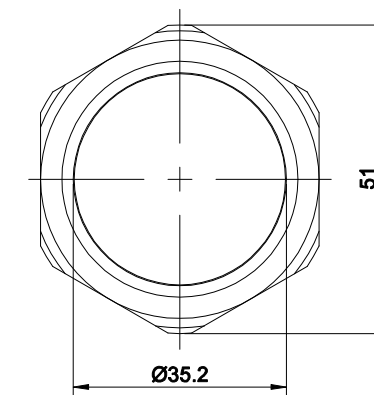
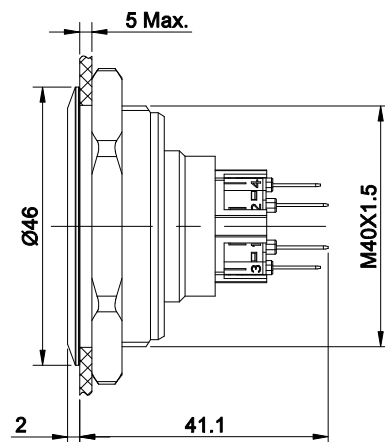
C

D

E

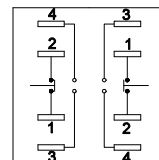
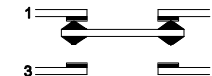


PANEL CUTOUT



SEAL RING

SCHEMATIC



CONTACT COMPOSITION

1. 2. 3. 4ARE ONE SET;
1,2 ARE NORMAL CLOSED(NC);
3,4 ARE NORMAL OPENED(NO).

PART NUMBER: GQ40-□■/S

"□"	CONTACT STRUCTURE	"■"	OPERATION MODE
11	1NO1NC	NO LETTER	MOMENTARY
22	2NO2NC	Z	LATCHING

SPECIFICATIONS:

- SWITCH RATING: $U_i: 250V, I_{th}: 5A$.
- MECHANICAL LIFE: $\geq 1,000,000$ cycles.
- ELECTRICAL LIFE: $\geq 50,000$ cycles.
- INSULATION RESISTANCE: $\geq 100M\Omega(500VDC)$.
- DIELECTRIC STRENGTH: $1,500V, RMS 50HZ, 1min$.
- OPERATING TEMPERATURE: $-25^{\circ}C \sim +55^{\circ}C$ (NO FREEZING).
- OPERATING FORCE: ABOUT $4N(1NO1NC)$, ABOUT $7.5N(2NO2NC)$.
- OPERATING TRAVEL: ABOUT $2.5mm$.
- TORQUE: ABOUT $0.6Nm$ MAX.APPLIED TO NUT.
- IP CLASS: IP65(IP67 MOMENTARY CAN MADE TO ORDER), IK10.
- TERMINAL TYPE: PIN TERMINAL($2.8 \times 0.5mm$).
- GENERAL TOLERANCE: $0-18mm \pm 0.25, 18-80mm \pm 0.52$.

MATERIALS:

- CONTACT: SILVER ALLOY.
- BUTTON: STAINLESS STEEL.
- BODY: STAINLESS STEEL.
- BASE: PA.

BRAND 品牌

ONPOW 欧宝龙®

红波按钮制造有限公司

ONPOW PUSH BUTTON MANUFACTURE CO.,LTD.

TITLE 名称	GQ SERIES ANTI-VANDAL PUSH BUTTON	UNIT 单位	mm
DWG NO. 图号	GQ40	SCALE 比例	0.8 : 1
FILE NAME 档案名称	GQ40.DWG	SHEET 张	1/1
DRAWN 制图	YDY 2022/07/05	REV. 更改	1
		SIZE 图纸	A4

1

2

3

4

5

6

7