

1 2 3 4 5 6 7

FOR 客户名称	APPROVED 客户确认签字	ATTN 销售负责人

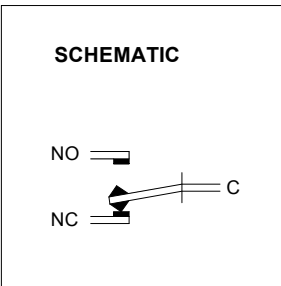
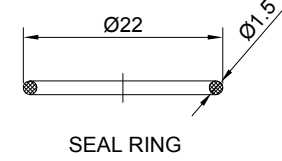
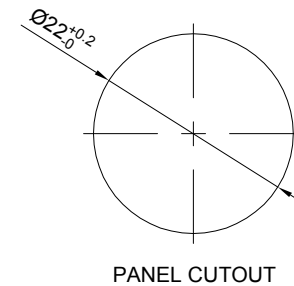
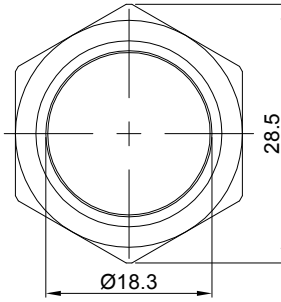
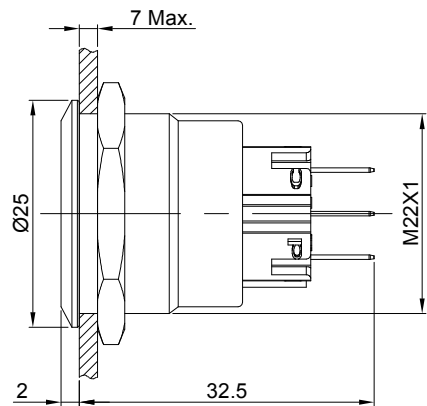
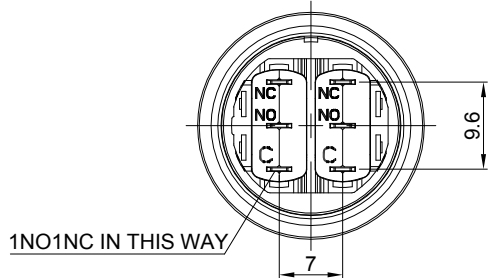
A A

B B

C C

D D

E E



PART NUMBER: ONPOW6122F-□■/S

"□"	CONTACT STRUCTURE	"■"	OPERATION MODE
11	1NO 1NC	NO LETTER	MOMENTARY
22	2NO 2NC	Z	LATCHING

- SPECIFICATIONS:**
- SWITCH RATING:  $U_i: 250V, I_{th}: 5A$ .
  - MECHANICAL LIFE: 1,000,000 cycles(MOMENTARY);  $\geq 500,000$  cycles(LATCHING).
  - ELECTRICAL LIFE:  $\geq 50,000$  cycles.
  - INITIAL CONTACT RESISTANCE:  $\leq 50m\Omega$ .
  - INSULATION RESISTANCE:  $\geq 100M\Omega(500VDC)$ .
  - DIELECTRIC STRENGTH: 1,500V, RMS 50HZ, 1min.
  - OPERATING TEMPERATURE:  $-25^{\circ}C \sim +55^{\circ}C$ (NO FREEZING,KEEP THE AIR FLOWING AROUND PUSHBUTTON).
  - OPERATING FORCE: ABOUT 2.5N.
  - OPERATING TRAVEL: ABOUT 3mm.
  - TORQUE: ABOUT 0.6Nm MAX.APPLIED TO NUT.
  - FRONT PANEL PROTECTION DEGREE: IP65, IK09.
  - TERMINAL TYPE: PIN TERMINAL(2.8 X 0.5mm).
  - GENERAL TOLERANCE: 0-18mm= $\pm 0.25$ , 18-80mm= $\pm 0.52$ .

- MATERIALS:**
- CONTACT: SILVER ALLOY.
  - BUTTON: STAINLESS STEEL.
  - BODY: STAINLESS STEEL.
  - BASE: PA.

BRAND 品牌		红波按钮制造有限公司		
ONPOW 欧宝龙®		ONPOW PUSH BUTTON MANUFACTURE CO.,LTD.		
TITLE 名称	ONPOW61 SERIES ANTI-VANDAL PUSH BUTTON	UNIT 单位	mm	
FILE NAME 档案名称	ONPOW6122F	SCALE 比例	1.2 : 1	SIZE 图纸
DWG NO. 图号	ONPOW6122 .DWG	DRAWN 制图	WSB 2023/03/03	SHEET 张
			1/1	REV. 更改
				1

1 2 3 4 5 6 7