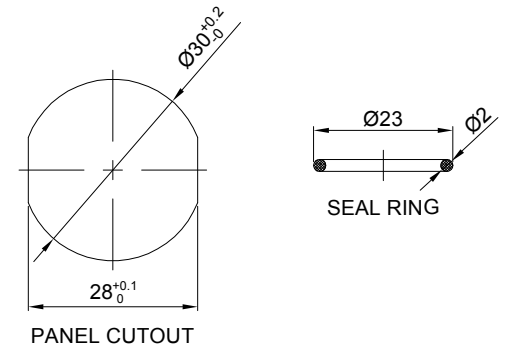
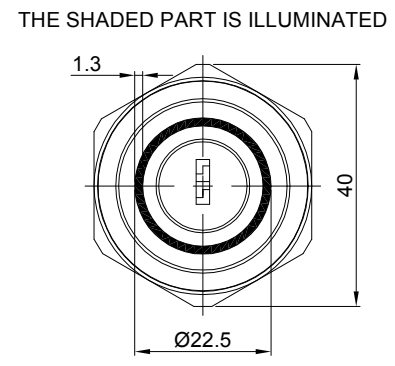
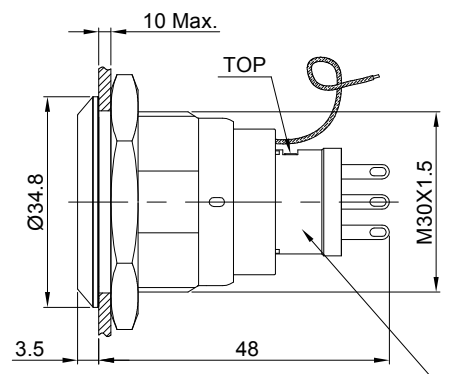
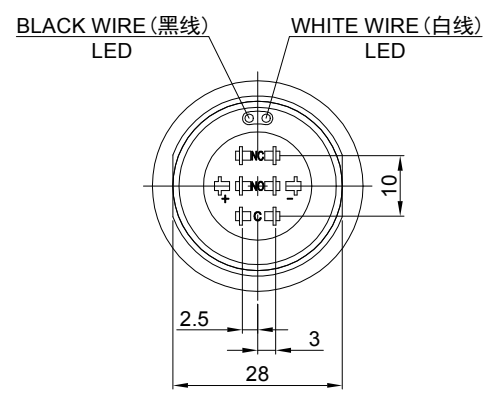
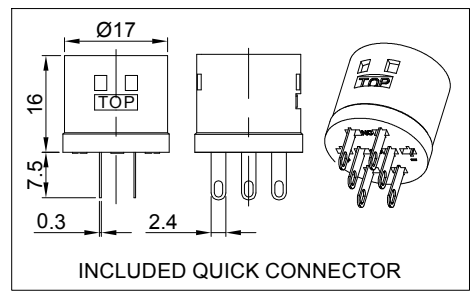
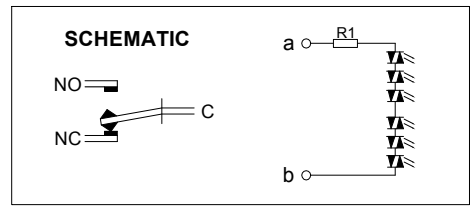
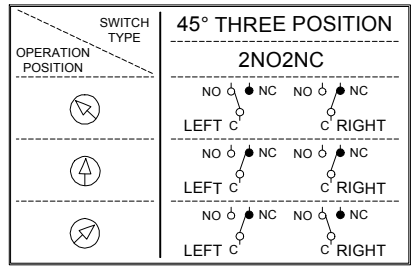


	FOR 客户名称	APPROVED 客户确认签字	ATTN 销售负责人



INCLUDED QUICK CONNECTOR

CONTACT COMPOSITION



INCLUDED QUICK CONNECTOR

PART NUMBER: LAS1-AGQ30-22Y/31/△/▲/S

"△"	LAMP COLOR	"▲"	LAMP VOLTAGE
R	RED	6V	AC/DC 6V
G	GREEN	12V	AC/DC 12V
Y	YELLOW	24V	AC/DC 24V
B	BLUE	OTHER VOLTAGE CAN BE MADE TO ORDER	
W	WHITE		

- SPECIFICATIONS:**
- SWITCH RATING: DC36V/2A.
  - MECHANICAL LIFE: ≥200,000 cycles.
  - ELECTRICAL LIFE: ≥50,000 cycles.
  - INITIAL CONTACT RESISTANCE: ≤50mΩ.
  - INSULATION RESISTANCE: ≥100MΩ(500VDC).
  - DIELECTRIC STRENGTH: 1,500V, RMS 50Hz, 1min.
  - OPERATING TEMPERATURE: -25°C~+55°C(NO FREEZING, KEEP THE AIR FLOWING AROUND PUSHBUTTON).
  - TORQUE: 0.6Nm Max. APPLIED TO NUT.
  - FRONT PANEL PROTECTION DEGREE: IP40, IK02.
  - TERMINAL TYPE: PIN TERMINAL(2.4X0.3mm).
  - GENERAL TOLERANCE: 0-18mm=±0.25, 18-80mm=±0.52.
  - ★OPERATING REQUIREMENT: 45° ROTATION REQUIRES, ROTATION IN PLACE.

- MATERIALS:**
- CONTACT: SILVER ALLOY.
  - BUTTON: STAINLESS STEEL/PC.
  - BODY: STAINLESS STEEL.
  - BASE: PA.

<b>BRAND 品牌</b>		<b>红波按钮制造有限公司</b>		
<b>ONPOW 欧宝龙®</b>		<b>ONPOW PUSH BUTTON MANUFACTURE CO.,LTD.</b>		
<b>TITLE 名称</b>	LAS1-AGQ30 SERIES ANTI-VANDAL KEY BUTTON			<b>UNIT 单位</b> mm
<b>DWG NO. 图号</b>	LAS1-AGQ30-22Y三位置(单色)(6-24V)	<b>SCALE 比例</b>	0.8 : 1	<b>SIZE 图纸</b> A4
<b>FILE NAME 档案名称</b>	LAS1-AGQ30-Y .DWG	<b>DRAWN 制图</b>	HCP 2023/09/26	<b>SHEET 张</b> 1/1 <b>REV. 更改</b> 1