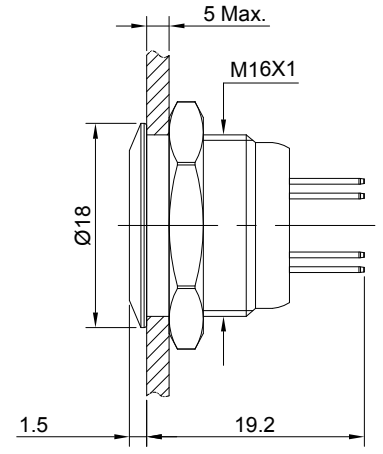
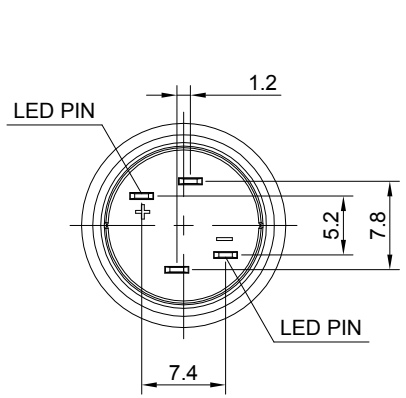
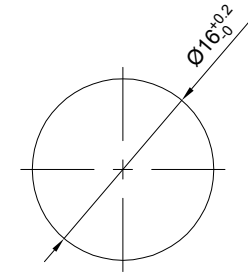
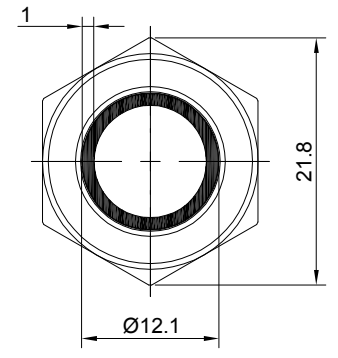


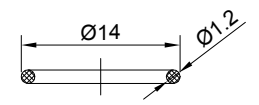
FOR 客户名称	APPROVED 客户确认签字	ATTN 销售负责人



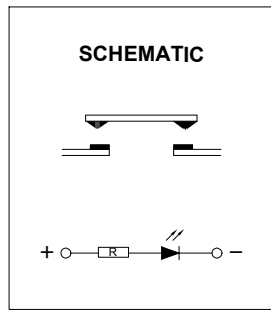
THE SHADED PART IS ILLUMINATED



PANEL CUTOUT



SEAL RING



SCHEMATIC

DOUBLE-BREAKPOINT SLOW-ACTING CONTACT SWITCH WITH TWO TERMINALS

PART NUMBER: MTA16F-10E/J/△/▲/S

"△"	LAMP COLOR
R	RED
G	GREEN
Y	YELLOW
B	BLUE
W	WHITE

"▲"	LAMP VOLTAGE
6V	AC/DC 6V
12V	AC/DC 12V
24V	AC/DC 24V
OTHER VOLTAGE CAN BE MADE TO ORDER	

SPECIFICATIONS:

- SWITCH RATING: DC24V/50mA.
- MECHANICAL LIFE: ≥500,000 cycles.
- ELECTRICAL LIFE: ≥500,000 cycles.
- INITIAL CONTACT RESISTANCE: ≤100mΩ.
- INSULATION RESISTANCE: ≥100MΩ(500VDC).
- DIELECTRIC STRENGTH: 1000V, RMS 50Hz, 1min.
- OPERATING TEMPERATURE: -25°C~ +55°C(NO FREEZING, KEEP THE AIR FLOWING AROUND PUSHBUTTON ).
- TORQUE: 0.6Nm Max. APPLIED TO NUT.
- OPERATING FORCE: ABOUT 3.8N.
- OPERATING TRAVEL: ABOUT 0.5mm.
- FRONT PANEL PROTECTION DEGREE: IP65, IK05.
- TERMINAL TYPE: PIN TERMINAL(2X0.5mm).
- GENERAL TOLERANCE: 0-18mm=±0.25, 18-80mm=±0.52.
- RoHS CAN BE CUSTOMIZED.

MATERIALS:

- CONTACT: SILVER ALLOY.
- BUTTON: STAINLESS STEEL.
- BODY: STAINLESS STEEL.
- BASE: PBT.

BRAND 品牌		红波按钮制造有限公司			
ONPOW 欧宝龙®		ONPOW PUSH BUTTON MANUFACTURE CO.,LTD.			
TITLE 名称	MTA SERIES MICRO TRAVEL METAL PUSHBUTTON	UNIT 单位	mm		
DWG NO. 图号	MTA16F-10E-J	SCALE 比例	1.5 : 1	SIZE 图纸	A4
FILE NAME 档案名称	MTA16带灯.DWG	DRAWN 制图	HCP 2023/12/02	SHEET 张	1/1
		REV. 更改			1