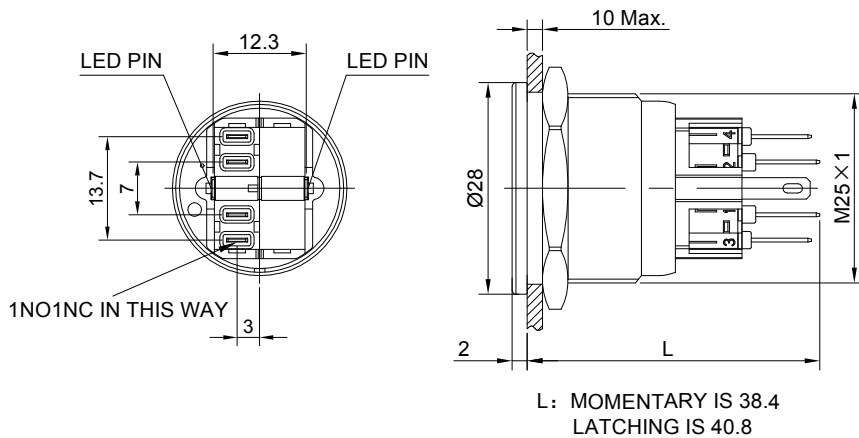
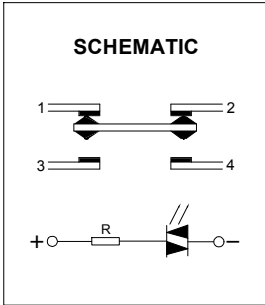


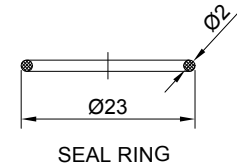
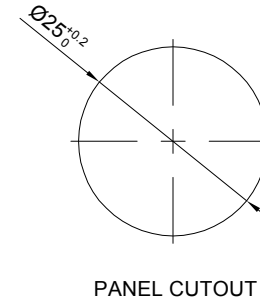
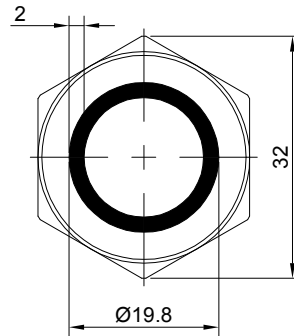
NO. **DZ202307AR** ■/△/▲ CUSTOMIZED PRODUCT MODEL: **DZ-GQ25PF-11** ■E/△/▲/S  
 CUSTOMIZED  
 ① CUSTOMIZED SUPER FLAT ACTUATOR.

"■"	OPERATION MODE	"△"	LAMP COLOR	"▲"	LAMP VOLTAGE
NO LETTER	MOMENTARY	R	RED	6V	AC/DC 6V
Z	LATCHING	G	GREEN	12V	AC/DC 12V
		Y	YELLOW	24V	AC/DC 24V
		B	BLUE	110V	AC/DC 110V
		W	WHITE	220V	AC/DC 220V
OTHER VOLTAGE CAN BE MADE TO ORDER					

FOR 客户名称	APPROVED 客户确认签字	ATTN 销售负责人
IC		南澜澜
样品图		



THE SHADED PART IS ILLUMINATED



**SPECIFICATIONS:**

- SWITCH RATING:  $U_i: 250V, I_{th}: 5A$ .
- LAMP CIRCUIT: USING AC/DC LED LAMP, THE TERMINALS NO DIFFERENCE OF ANODE AND CATHODE.
- MECHANICAL LIFE:  $\geq 1,000,000$  cycles.
- ELECTRICAL LIFE:  $\geq 50,000$  cycles.
- CONTACT RESISTANCE:  $\leq 50m\Omega$ .
- INSULATION RESISTANCE:  $\geq 100M\Omega(500VDC)$ .
- DIELECTRIC STRENGTH:  $1,500V, RMS 50Hz, 1min$ .
- OPERATING TEMPERATURE:  $-25^{\circ}C \sim +55^{\circ}C$  (NO FREEZING, KEEP THE AIR FLOWING AROUND PUSHBUTTON).
- OPERATING FORCE: ABOUT 5N.
- OPERATING TRAVEL: ABOUT 2.5mm.
- TORQUE: 0.6Nm Max. APPLIED TO NUT.
- FRONT PANEL PROTECTION DEGREE: IP65, IK10.
- TERMINAL TYPE: PIN TERMINAL(2.8 X 0.5mm).
- GENERAL TOLERANCE:  $0-18mm = \pm 0.25, 18-80mm = \pm 0.52$ .

**MATERIALS:**

- CONTACT: SILVER ALLOY.
- BUTTON: STAINLESS STEEL/PC.
- BODY: STAINLESS STEEL.
- BASE: PA/PC.

BRAND 品牌		红波按钮制造有限公司			
ONPOW 欧宝龙®		ONPOW PUSH BUTTON MANUFACTURE CO.,LTD.			
TITLE 名称	GQ SERIES ANTI-VANDAL PUSH BUTTON		UNIT 单位	mm	
FILE NAME 档案名称	DZ202307AR(GQ25PF-11E IC).DWG	SCALE 比例	1 : 1	SIZE 图纸	A4
DWG NO. 图号	DZ202307AR	DRAWN 制图	HCP 2023/07/13	SHEET 张	1/1
			REV. 更改	1	