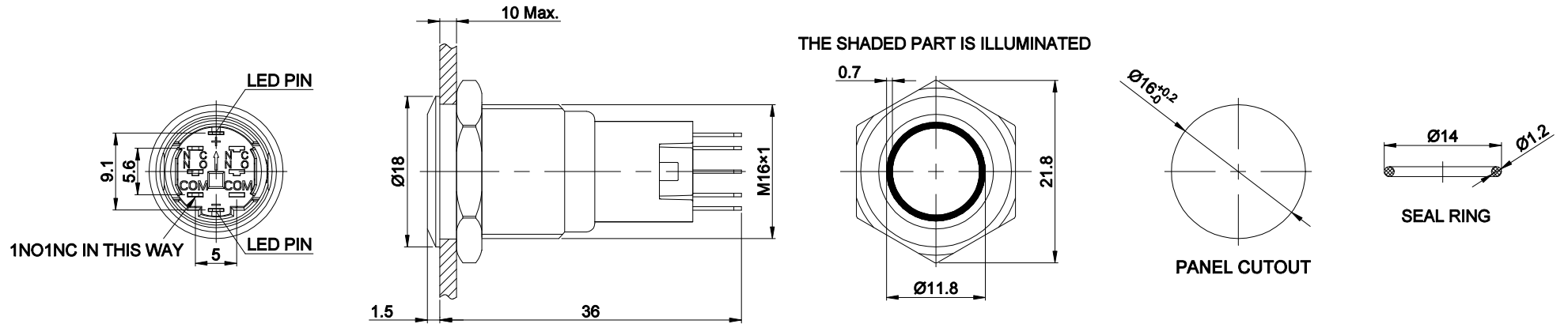
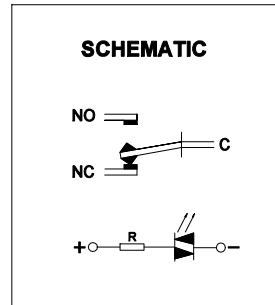
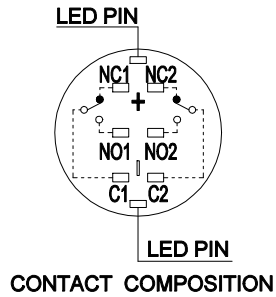


FOR 客户名称	APPROVED 客户确认签字	ATTN 销售负责人



PART NUMBER: LAS2GQF-□■E/△/▲/◎/※



SINGLE-BREAKPOINT QUICK-ACTING CONTACT SWITCHES WITH THREE TERMINALS

"□"	CONTACT STRUCTURE
11	1NO1NC
22	2NO2NC
"■"	OPERATION MODE
NO LETTER	MOMENTARY
Z	LATCHING

"△"	LAMP COLOR
R	RED
G	GREEN
Y	YELLOW
B	BLUE
W	WHITE

"▲"	LAMP VOLTAGE
6V	AC/DC 6V
12V	AC/DC 12V
24V	AC/DC 24V
110V	AC/DC 110V (EXTERNAL RESISTOR)
220V	AC/DC 220V (EXTERNAL RESISTOR)
OTHER VOLTAGE CAN BE MADE TO ORDER	

"◎"	CRUST MATERIAL
S	STAINLESS STEEL
A	AL ALLOY(BLACK)
N	NICKEL PLATED BRASS
"※"	IP CLASS
NO LETTER	IP40
FP	IP67

SPECIFICATIONS:

- SWITCH RATING: Ui:220V, Ith:3A.
- MECHANICAL LIFE: ≥1,000,000 cycles.
- ELECTRICAL LIFE: ≥50,000 cycles.
- INITIAL CONTACT RESISTANCE: ≤50mΩ.
- INSULATION RESISTANCE: ≥100MΩ(500VDC).
- DIELECTRIC STRENGTH: 1,500V, RMS 50HZ, 1min.
- OPERATING TEMPERATURE: -25°C~ +55°C(NO FREEZING, KEEP THE AIR FLOWING AROUND PUSHBUTTON ).
- OPERATING FORCE:  
MOMENTARY: 1.2~1.8N(1NO1NC), 1.4~2N(2NO2NC);  
LATCHING: 2.3~2.8N(1NO1NC), 2.5~3N(2NO2NC).
- OPERATING TRAVEL: ABOUT 2.8mm.
- TORQUE: 0.6Nm Max. APPLIED TO NUT.
- FRONT PANEL PROTECTION DEGREE: IP40/IP67, IK09.
- TERMINAL TYPE: PIN TERMINAL(1.8 X 0.4mm), LED PIN(1.8 X 0.3mm).
- GENERAL TOLERANCE: 0-18mm=±0.25, 18-80mm=±0.52.

- MATERIALS:
- CONTACT: SILVER ALLOY.
  - BUTTON: ◎/PC.
  - BODY: ◎.
  - BASE: PA.

BRAND 品牌		红波按钮制造有限公司			
ONPOW 欧宝龙®		ONPOW PUSH BUTTON MANUFACTURE CO.,LTD.			
TITLE 名称	LAS2GQ SERIES ANTI-VANDAL PUSH BUTTON	UNIT 单位	mm		
DWG NO. 图号	LAS2GQF-E	SCALE 比例	1.4 : 1	SIZE 图纸	A4
FILE NAME 档案名称	LAS2GQF带灯.DWG	DRAWN 制图	YDY 2023/06/25	SHEET 张	1/1
		REV. 更改	1		