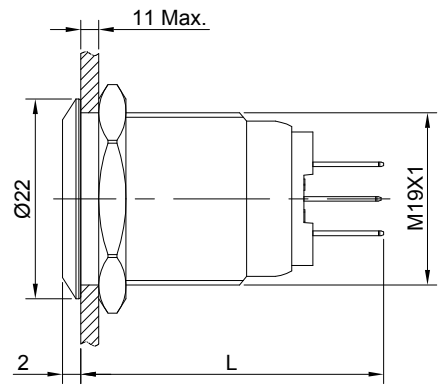
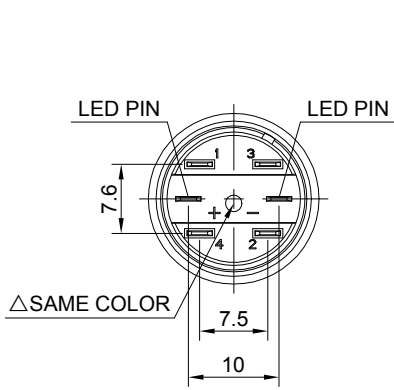
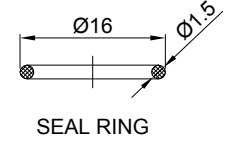
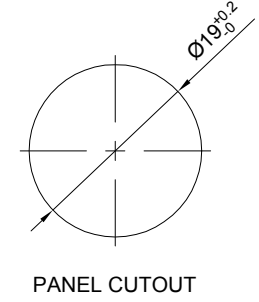
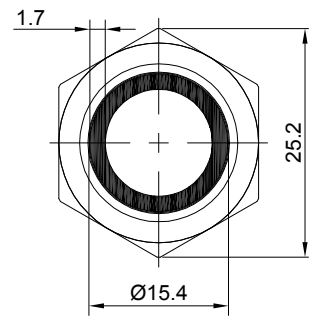


FOR 客户名称	APPROVED 客户确认签字	ATTN 销售负责人

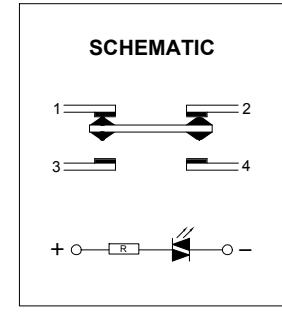


THE SHADED PART IS ILLUMINATED



L: MOMENTARY IS 33.5  
LATCHING IS 39.5

PART NUMBER: LAS1GQ-11 ■ E / Δ / ▲ / ◎ / ※



DOUBLE-BREAKPOINT SNAP-ACTION CONTACT SWITCH WITH FOUR TERMINALS

"■"	OPERATION MODE
NO LETTER	MOMENTARY
Z	LATCHING

"Δ"	LAMP COLOR
R	RED
G	GREEN
Y	YELLOW
B	BLUE
W	WHITE

"▲"	LAMP VOLTAGE
6V	AC/DC 6V
12V	AC/DC 12V
24V	AC/DC 24V
110V	AC/DC 110V
220V	AC/DC 220V
OTHER VOLTAGE CAN BE MADE TO ORDER	

"◎"	CRUST MATERIAL
S	STAINLESS STEEL
A	AL ALLOY(BLACK)

"※"	IP CLASS
NO LETTER	IP65
FP	IP67(MOMENTARY)

SPECIFICATIONS:

- SWITCH RATING: Ui:250V, Ith:20A.
- MECHANICAL LIFE: ≥1,000,000 cycles.
- ELECTRICAL LIFE: ≥50,000 cycles.
- INITIAL CONTACT RESISTANCE: ≤50mΩ.
- INSULATION RESISTANCE: ≥100MΩ(500VDC).
- DIELECTRIC STRENGTH: 1,500V, RMS 50Hz, 1min.
- OPERATING TEMPERATURE: -25°C~ +55°C(NO FREEZING, KEEP THE AIR FLOWING AROUND PUSHBUTTON).
- OPERATING FORCE: ABOUT 4N(IP65), ABOUT 5N(IP67).
- OPERATING TRAVEL: ABOUT 3mm.
- TORQUE: 0.6Nm Max. APPLIED TO NUT.
- FRONT PANEL PROTECTION DEGREE: IP65(IP67 MOMENTARY CAN BE CUSTOMIZED); IK09.
- TERMINAL TYPE: PIN TERMINAL(2.8X0.5mm).
- GENERAL TOLERANCE: 0-18mm=±0.25, 18-80mm=±0.52.

MATERIALS:

- CONTACT: SILVER ALLOY.
- BUTTON: ◎/PC.
- BODY: ◎.
- BASE: PC.

BRAND 品牌		红波按钮制造有限公司		
ONPOW 欧宝龙®		ONPOW PUSH BUTTON MANUFACTURE CO.,LTD.		
TITLE 名称	LAS1GQ SERIES ANTI-VANDAL PUSH BUTTON	UNIT 单位	mm	
DWG NO. 图号	LAS1GQ-11E	SCALE 比例	1.2 : 1	SIZE 图纸
FILE NAME 档案名称	LAS1GQ-11E .DWG	DRAWN 制图	HCP 2023/10/30	SHEET 张
			1/1	REV. 更改
				1