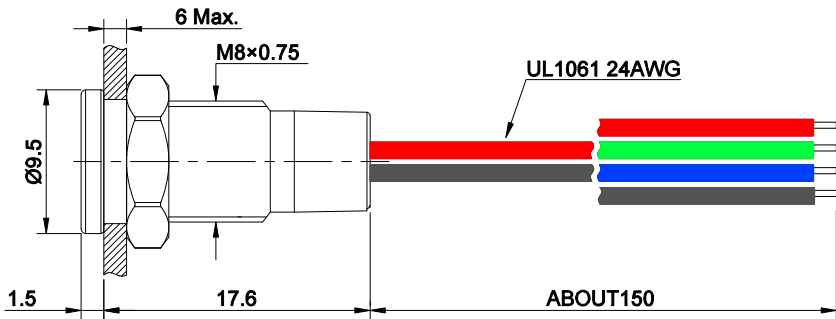
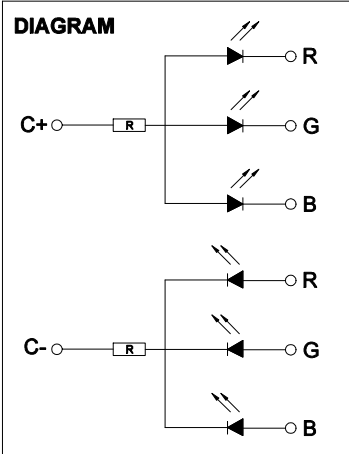
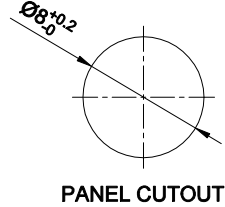
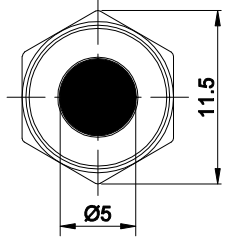


	FOR 客户名称	APPROVED 客户确认签字	ATTN 销售负责人



RED WIRE: LED RED  
GREEN WIRE: LED GREEN  
BLUE WIRE: LED BLUE  
BLACK WIRE: C+/C-

THE SHADED PART IS ILLUMINATED



PART NUMBER: GQ8T-D/Y/★RGB/▲/◎

"★"	LED COMMON PIN
41	COMMON PIN IN CATHODE(C-)
42	COMMON PIN IN ANODE(C+)

"▲"	LAMP VOLTAGE
5~6V	AC/DC 5~6V
12~24V	AC/DC 12~24V
OTHER VOLTAGE CAN BE MADE TO ORDER	

"◎"	CRUST MATERIAL
S	STAINLESS STEEL
N	NICKEL-PLATED BRASS
A	BLACK-PLATED BRASS

- SPECIFICATIONS:**
- RATED CURRENT: 5V ABOUT 4.4mA; 6V ABOUT 5.9mA; 12V ABOUT 2.3mA; 24V ABOUT 5.1mA.
  - LIFE: ABOUT 40,000 hours(REFERENCE).
  - INSULATION RESISTANCE: ≥100MΩ(500VDC).
  - DIELECTRIC STRENGTH: 1,500V, RMS 50HZ, 1min.
  - DROPPING WAY: INNER RESISTANCE.
  - LAMP CIRCUIT: USING DC LED LAMP.
  - OPERATING TEMPERATURE: -25°C~ +55°C(NO FREEZING, KEEP THE AIR FLOWING AROUND PUSHBUTTON ).
  - TORQUE: ABOUT 0.6Nm MAX.APPLIED TO NUT.
  - TERMINAL TYPE: UL1061 26AWG.
  - FRONT PANEL PROTECTION DEGREE: IP67,IK06.
  - GENERAL TOLERANCE:0-18mm=±0.25, 18-80mm=±0.52.

- MATERIALS:**
- HEAD: EP.
  - BODY: ◎.
  - BASE: PA.

BRAND 品牌		<b>红波按钮制造有限公司</b>			
<b>ONPOW 欧宝龙®</b>		ONPOW PUSH BUTTON MANUFACTURE CO.,LTD.			
TITLE 名称	GQ SERIES ANTI-VANDAL INDICATOR		UNIT 单位	mm	
DWG NO. 图号	GQ8T-D-Y-RGB	SCALE 比例	2 : 1	SIZE 图纸	A4
FILE NAME 档案名称	GQ8T.DWG	DRAWN 制图	WSB 2023/05/15	SHEET 张	1/1
		REV. 更改			1