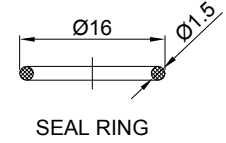
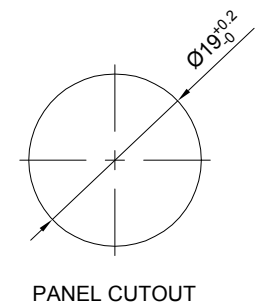
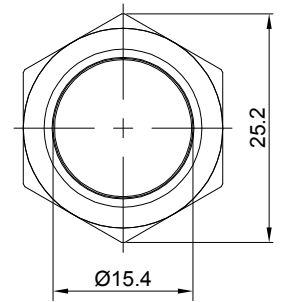
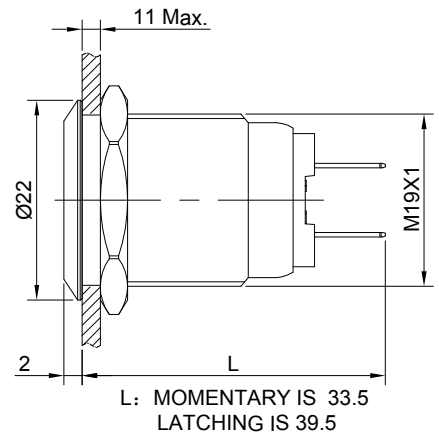
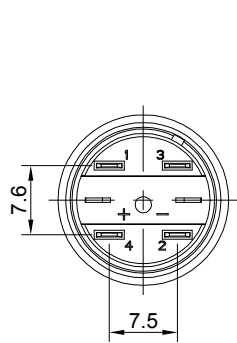


1 2 3 4 5 6 7

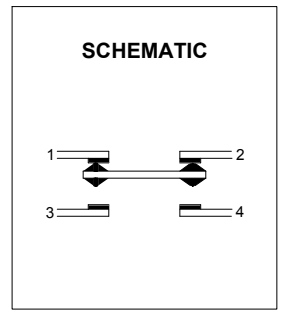
FOR 客户名称	APPROVED 客户确认签字	ATTN 销售负责人



PANEL CUTOUT

SEAL RING

L: MOMENTARY IS 33.5
LATCHING IS 39.5



DOUBLE-BREAKPOINT SNAP-ACTION CONTACT SWITCH WITH FOUR TERMINALS

PART NUMBER: LAS1GQ-11 ■/S/※

"■"	OPERATION MODE	"※"	IP CLASS
NO LETTER	MOMENTARY	NO LETTER	IP65
Z	LATCHING	FP	IP67(MOMENTARY)

SPECIFICATIONS:

- SWITCH RATING: U_i :250V, I_{th} :20A.
- MECHANICAL LIFE: $\geq 1,000,000$ cycles.
- ELECTRICAL LIFE: $\geq 50,000$ cycles.
- INITIAL CONTACT RESISTANCE: $\leq 50m\Omega$.
- INSULATION RESISTANCE: $\geq 100M\Omega$ (500VDC).
- DIELECTRIC STRENGTH: 1,500V, RMS 50Hz, 1min.
- OPERATING TEMPERATURE: $-25^{\circ}C \sim +55^{\circ}C$ (NO FREEZING, KEEP THE AIR FLOWING AROUND PUSHBUTTON).
- OPERATING FORCE: ABOUT 4N(IP65), ABOUT 5N(IP67).
- OPERATING TRAVEL: ABOUT 3mm.
- TORQUE: 0.6Nm Max. APPLIED TO NUT.
- FRONT PANEL PROTECTION DEGREE: IP65(IP67 MOMENTARY CAN BE CUSTOMIZED); IK09.
- TERMINAL TYPE: PIN TERMINAL(2.8X0.5mm).
- GENERAL TOLERANCE: 0-18mm= ± 0.25 , 18-80mm= ± 0.52 .

MATERIALS:

- CONTACT: SILVER ALLOY.
- BUTTON: STAINLESS STEEL.
- BODY: STAINLESS STEEL.
- BASE: PC.

BRAND 品牌		红波按钮制造有限公司			
ONPOW 欧宝龙®		ONPOW PUSH BUTTON MANUFACTURE CO.,LTD.			
TITLE 名称	LAS1GQ SERIES ANTI-VANDAL PUSH BUTTON		UNIT 单位	mm	
DWG NO. 图号	LAS1GQ-11	SCALE 比例	1.2 : 1	SIZE 图纸	A4
FILE NAME 档案名称	LAS1GQ-11.DWG	DRAWN 制图	HCP 2023/10/26	SHEET 张	1/1
		REV. 更改	1		

1 2 3 4 5 6 7