

1

2

3

4

5

6

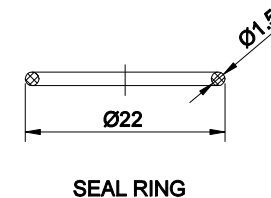
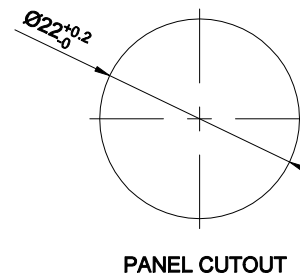
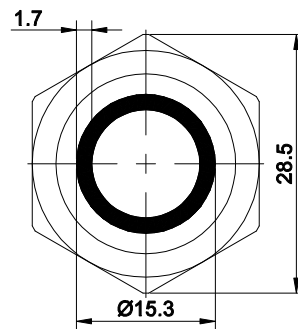
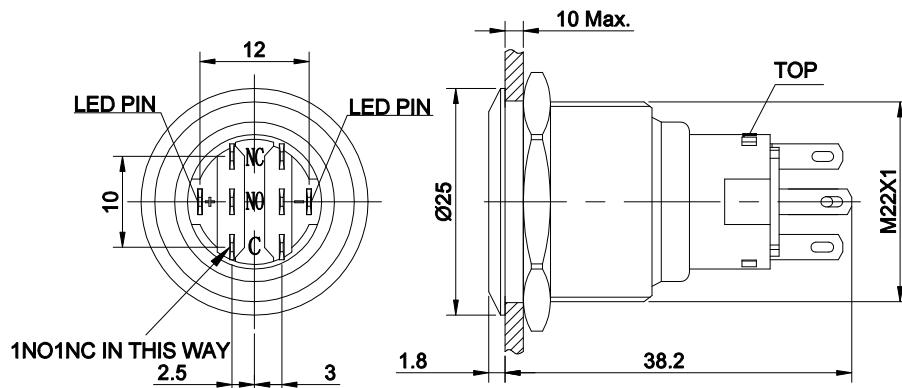
7

FOR
客户名称APPROVED
客户确认签字ATTN
销售负责人

A

THE SHADED PART IS ILLUMINATED

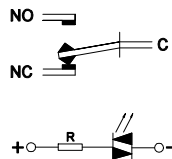
A



B

B

SCHEMATIC



PART NUMBER: LAS1-AGQ22-□■E/△/▲/S

□	CONTACT STRUCTURE
11	1NO 1NC
22	2NO 2NC

■	OPERATION MODE
NO LETTER	MOMENTARY
Z	LATCHING

△	LAMP COLOR
R	RED
G	GREEN
Y	YELLOW
B	BLUE
W	WHITE

▲	LAMP VOLTAGE
6V	AC/DC 6V
12V	AC/DC 12V
24V	AC/DC 24V
110V	AC/DC 110V
220V	AC/DC 220V

OTHER VOLTAGE CAN BE
MADE TO ORDER

C

C

SPECIFICATIONS:

- SWITCH RATING: $U_i: 250V$, $I_{th}: 5A$.
- MECHANICAL LIFE: $\geq 1,000,000$ cycles.
- ELECTRICAL LIFE: $\geq 50,000$ cycles.
- INITIAL CONTACT RESISTANCE: $\leq 50m\Omega$.
- INSULATION RESISTANCE: $\geq 100M\Omega(500VDC)$.
- DIELECTRIC STRENGTH: $1,500V$, RMS 50HZ, 1min.
- OPERATING TEMPERATURE: $-25^{\circ}C \sim +55^{\circ}C$ (NO FREEZING, KEEP THE AIR FLOWING AROUND PUSHBUTTON).
- OPERATING FORCE: ABOUT $1.7N(1NO1NC)$, ABOUT $3N(2NO2NC)$.
- OPERATING TRAVEL: ABOUT 3.1mm.
- TORQUE: 0.6Nm MAX.APPLIED TO NUT.
- FRONT PANEL PROTECTION DEGREE: IP65(IP67 CAN BE CUSTOMIZED),IK09.
- TERMINAL TYPE: PIN TERMINAL(2.8 X 0.5mm).
- GENERAL TOLERANCE: $0-18mm = \pm 0.25$, $18-80mm = \pm 0.52$.

MATERIALS:

- CONTACT: SILVER ALLOY.
- BUTTON: STAINLESS STEEL/PC.
- BODY: STAINLESS STEEL.
- BASE: PBT.

D

D

E

E

BRAND 品牌		红波按钮制造有限公司			
ONPOW 欧宝龙®		ONPOW PUSH BUTTON MANUFACTURE CO.,LTD.			
TITLE 名称	LAS1-AGQ22 SERIES ANTI-VANDAL PUSH BUTTON			UNIT 单位	mm
DWG NO. 图号	LAS1-AGQ22-E	SCALE 比例	1.2 : 1	SIZE 图纸	A4
FILE NAME 档案名称	LAS1-AGQ22-E .DWG	DRAWN 制图	WSB 2023/03/20	SHEET 张	1/1
		REV. 更改			1

1

2

3

4

5

6

7