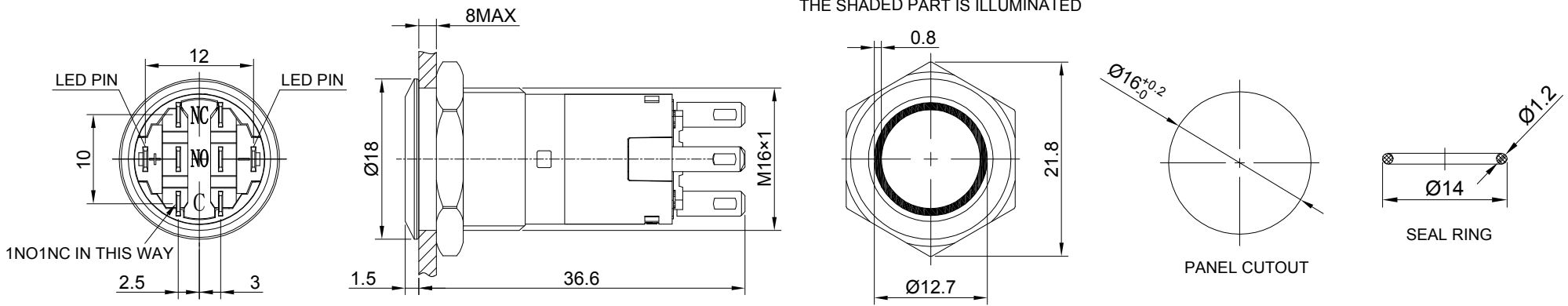


FOR 客户名称	APPROVED 客户确认签字	ATTN 销售负责人



Part Number: LAS1-AGQ16-□■E/△/▲/◎/※

"□"	CONTACT STRUCTURE	"△"	LAMP COLOR	"▲"	LAMP VOLTAGE	"◎"	CRUST MATERIAL
11	1NO1NC	R	RED	6V	AC/DC 6V	C	CHROME PLATED BRASS
22	2NO2NC	G	GREEN	12V	AC/DC 12V	S	STAINLESS STEEL
"■"	OPERATION MODE	Y	YELLOW	24V	AC/DC 24V	"※"	IP CLASS
NO LETTER	MOMENTARY	B	BLUE	110V	AC/DC 110V	NO LETTER	IP65
Z	LATCHING	W	WHITE	220V	AC/DC 220V	FP	IP67 (CUSTOMIZED)
OTHER VOLTAGE CAN BE MADE TO ORDER							

SPECIFICATIONS:

1. SWITCH RATING: AC220V/0.5A, DC110V/0.1A.
2. MECHANICAL LIFE: ≥1,000,000 cycles.
3. ELECTRICAL LIFE: ≥50,000 cycles.
4. CONTACT RESISTANCE: ≤50mΩ.
5. INSULATION RESISTANCE: ≥100MΩ(500VDC).
6. DIELECTRIC STRENGTH: 1,500V, RMS 50HZ, 1min.
7. OPERATING TEMPERATURE: -25°C~ +55°C (NO FREEZING).
8. OPERATING FORCE: ABOUT 1.5N(1NO1NC), ABOUT 3N(2NO2NC).
9. OPERATING TRAVEL: ABOUT 3.1mm.
10. FRONT PANEL PROTECTION DEGREE: IP65(IP67 CAN BE CUSTOMIZED), IK09.
11. TERMINAL TYPE: PIN TERMINAL(2.8 X 0.5mm).
12. GENERAL TOLERANCE: 0-18mm=±0.25, 18-80mm=±0.52.

MATERIALS:

1. CONTACT: SILVER ALLOY.
2. BUTTON: ◎.
3. BODY: ◎.
4. BASE: PA.

BRAND 品牌		红波按钮制造有限公司			
ONPOW 欧宝龙®		ONPOW PUSH BUTTON MANUFACTURE CO.,LTD.			
TITLE 名称	LAS1-AGQ16系列抗破坏金属按钮		UNIT 单位	mm	
DWG NO. 图号	LAS1-AGQ16-E	SCALE 比例	1.5 : 1	SIZE 图纸	A4
FILE NAME 档案名称	LAS1-AGQ16带灯 DWG	DRAWN 制图	YDY 2022/05/12	SHEET 张	1/1
			REV. 更改	1	