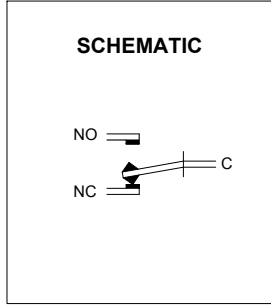
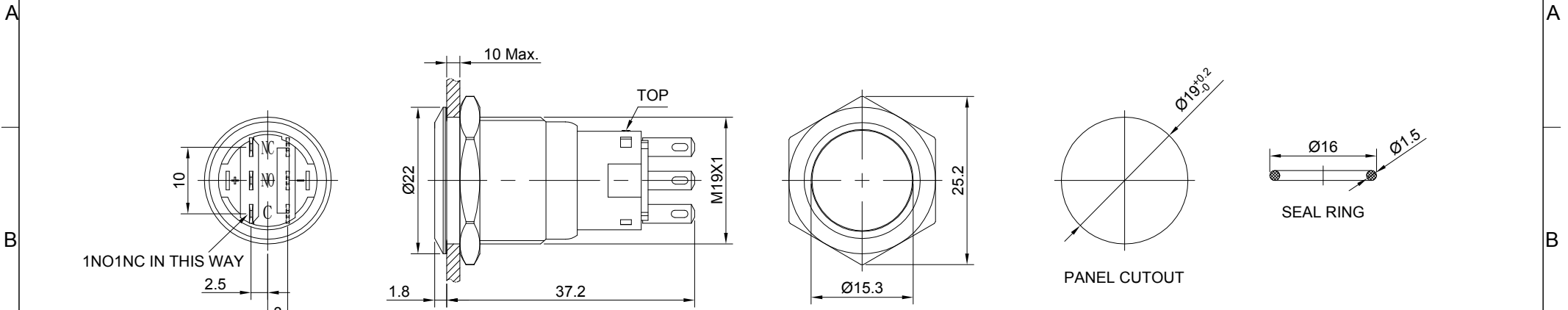


FOR 客户名称	APPROVED 客户确认签字	ATTN 销售负责人



SINGLE-BREAKPOINT QUICK-ACTING CONTACT SWITCHES WITH THREE TERMINALS

PART NUMBER: LAS1-AGQ-□■/◎/※

"□"	<b>CONTACT STRUCTURE</b>	"◎"	<b>CRUST MATERIAL</b>
11	1NO 1NC	S	STAINLESS STEEL
22	2NO 2NC	A	AL ALLOY(BLACK)
"■"	<b>OPERATION MODE</b>	"※"	<b>IP CLASS</b>
NO LETTER	MOMENTARY	NO LETTER	IP65
Z	LATCHING	FP	IP67(CUSTOMIZED)

- SPECIFICATIONS:**
- SWITCH RATING: Ui:250V, Ith:5A.
  - MECHANICAL LIFE: ≥1,000,000 cycles.
  - ELECTRICAL LIFE: ≥50,000 cycles.
  - INITIAL CONTACT RESISTANCE: ≤50mΩ.
  - INSULATION RESISTANCE: ≥100MΩ(500VDC).
  - DIELECTRIC STRENGTH: 1,500V, RMS 50Hz, 1min.
  - OPERATING TEMPERATURE: -25°C~ +55°C(NO FREEZING, KEEP THE AIR FLOWING AROUND PUSHBUTTON ).
  - OPERATING FORCE: ABOUT 1.7N(1NO1NC),ABOUT 3N(2NO2NC).
  - OPERATING TRAVEL: ABOUT 3.1mm.
  - TORQUE: ABOUT 0.6Nm Max.APPLIED TO NUT.
  - FRONT PANEL PROTECTION DEGREE: IP65(IP67 CAN BE CUSTOMIZED),IK09.
  - TERMINAL TYPE: PIN TERMINAL(2.8X0.5mm).
  - GENERAL TOLERANCE:0-18mm=±0.25, 18-80mm=±0.52.

- MATERIALS:**
- CONTACT: SILVER ALLOY.
  - BUTTON: ◎.
  - BODY: ◎.
  - BASE: PBT.

BRAND 品牌		<b>红波按钮制造有限公司</b>		
<b>ONPOW 欧宝龙®</b>		ONPOW PUSH BUTTON MANUFACTURE CO.,LTD.		
TITLE 名称	LAS1-AGQ SERIES ANTI-VANDAL PUSH BUTTON	UNIT 单位	mm	
DWG NO. 图号	LAS1-AGQ(不带灯)	SCALE 比例	1.2 : 1	SIZE 图纸 A4
FILE NAME 档案名称	LAS1-AGQ(不带灯).DWG	DRAWN 制图	HCP 2023/10/17	SHEET 张 1/1 REV. 更改 1